



中国认可
国际互认
检测
TESTING
CNAS L11210



TEST REPORT

Reference No. : WTF24N07169548L
Applicant : Shada BV
Address : Molenmakershoek 28 NL-7328 JK Apeldoorn
Manufacturer : 1) Shada BV
2) Shada-Ningbo trading Co.LTD
Address : 1) Molenmakershoek 28 NL-7328 JK Apeldoorn
2) Room 608,6th Floor, Building 5,A District,R&D Park, No.15
Lane587, Juxian Road, High-Tech Zone, Ningbo,Zhejiang,China Zip
315048
Product Name : LED Batten Light
Model No. : 2400440
Test specification : IEC 62262:2002+A1:2021
Date of Receipt sample : 2024-07-18
Date of Test : 2024-08-12 to 2024-08-12
Date of Issue : 2024-08-16
Test Report Form No. : WST-62262B-08B
Test Result : Pass

Remarks:

The results shown in this test report refer only to the sample(s) tested, this test report cannot be reproduced, except in full, without prior written permission of the company. The report would be invalid without specific stamp of test institute and the signatures of approver.

Prepared By:

Waltek Testing Group (Ningbo) Co., Ltd.

Address: Zone 3, 1/F., No.6, Building 011; Zone 1, 5/F., No.1, Building 007, No.1177, Lingyun Road,
Ningbo Hi-Tech Zone, Yinzhou District, Ningbo, Zhejiang, China

Tel: +86-574-8749 3888 Fax: +86-574-8386 8018 Email: nb@waltek.com.cn

Tested by:

Approved by:

Ray Ying / Project Engineer

Jianzhong Mao / Manager

**List of test items:**

No.	Test Items	Requirement + Test	Result
1	IK08 Test	IEC 62262:2002+A1:2021	Pass
<p>Subcontract Whether parts of tests for the product have been subcontracted to other labs: <input type="checkbox"/> Yes <input checked="" type="checkbox"/> No If Yes, list the related test items and lab information: Test items: --- Lab information: ---</p> <p>Remarks: 1. The test was performed on model 2400440 2. Only the most unfavorable results are recorded in this report.</p>			

WALTEK

**Test Item :**

IK08 test

Test Method:

1. Unless otherwise specified in the relevant product standard, the test shall be carried out under the standard atmospheric conditions for tests described IEC 60068-1 :
—temperature range: 15°C to 35°C,
2. Each enclosure under test shall be in a clean and new condition, complete with all its parts in place unless otherwise specified in the relevant product standard.
3. In order to verify the protection against mechanical impacts, blows shall be applied to the enclosure to be tested. The test shall be done by using one of the test apparatus described in IEC 60068-2-75. The device to be used for this test is Pendulum hammer
4. During the test the enclosure shall be mounted on a rigid support, according to the manufacturer's instructions for use.
5. The number of impacts shall be five on each exposed mirror face unless otherwise specified in the relevant product standard. The impacts shall be evenly distributed on the faces of the enclosure(s) under test. In no case shall be applied in the surroundings of the same point of the enclosure. The relevant product standard shall specify the points of application of impacts.
6. The impact energy is 5J.

Acceptance Conditions:

1. After completion of the tests, there was no broken for the sample.
2. The mechanical structure, function, performance of the sample complied with the requirements

Test Result: Pass Fail

WALTEK

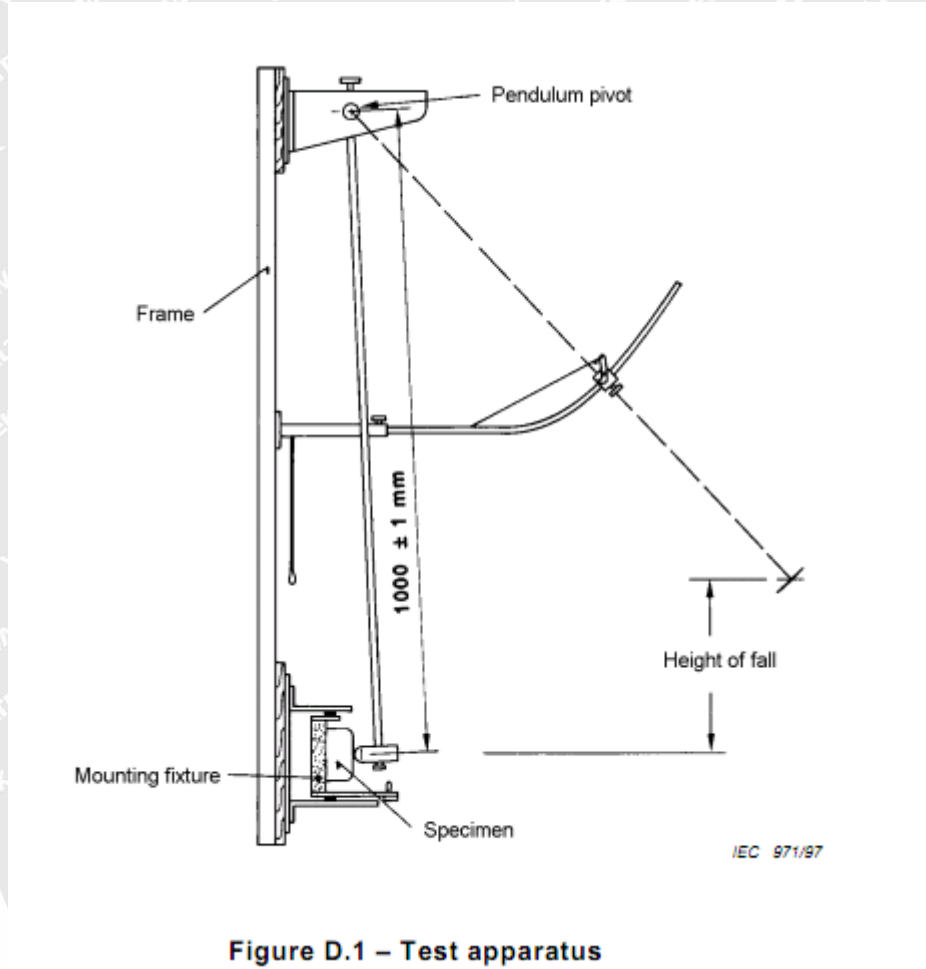


Figure D.1 – Test apparatus

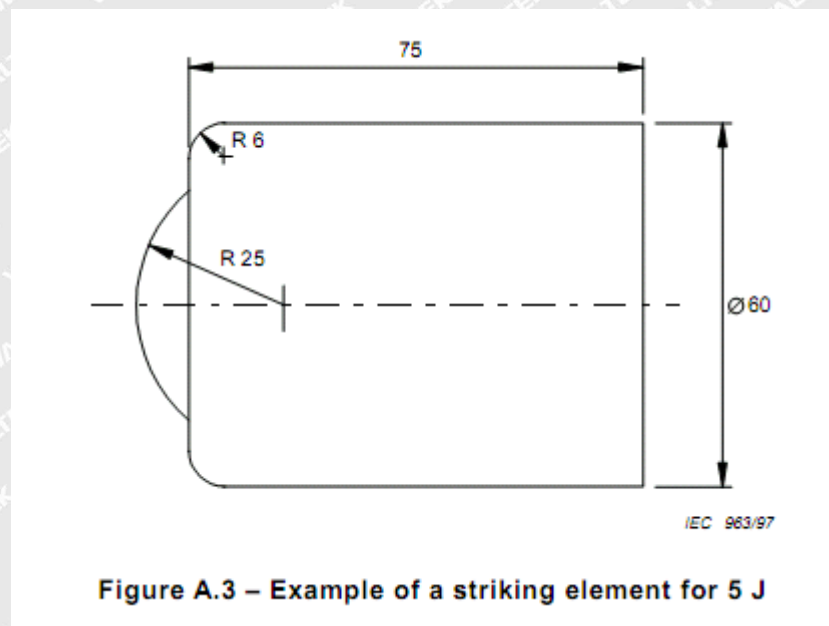


Figure A.3 – Example of a striking element for 5 J



Equipment Used during Test

Equipment	Model/Type	Calibration Due Date
Digital thermohyrometer	WTNS1002A1-001	2025-07-01
Pendulum hammer Test Apparatus	WTNS1017A1-001	2024-12-02
Steel Tape	WTNS1032A1-001	2025-07-01

WALTEK



Photo Documentation

Model: 2400440

Photo 1

Description: Overview

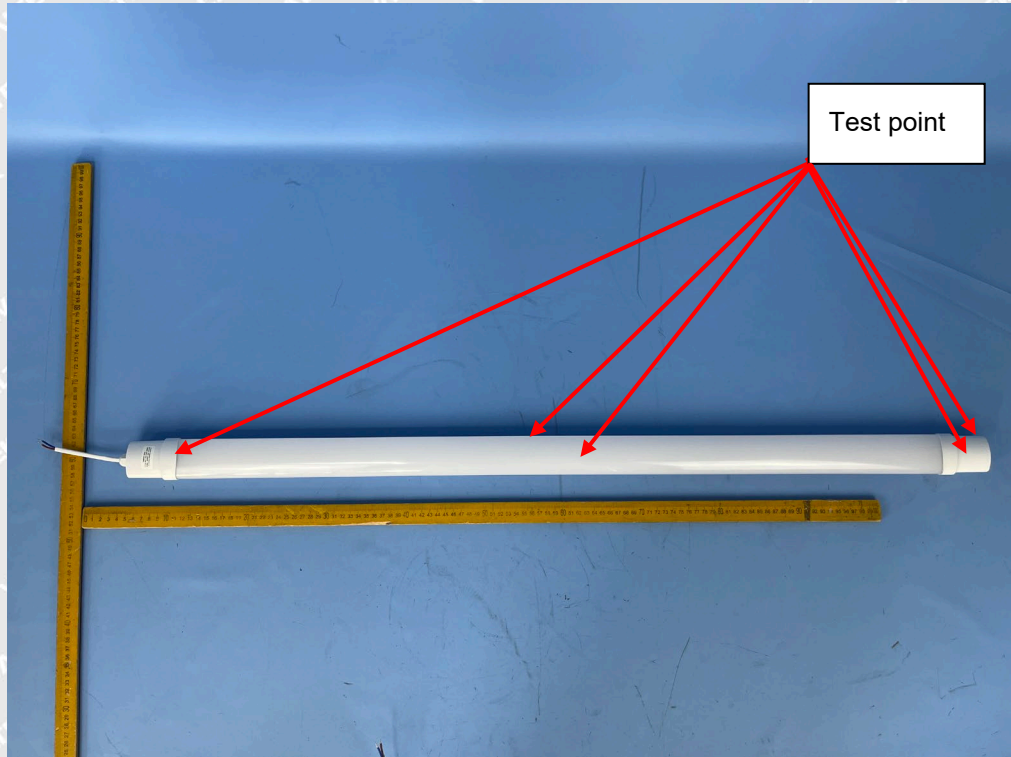


Photo 2

Description: Rear view





Description: IK08 Test

Photo 3



===== End of Report =====

WALTEK